



ULTRA  
LOW  
EMISSION  
BURNERS

carboNZero   
ISO 14064-1 • certified organisation



# PYROCLASSIC FIRES

The clean, colourful and ultra efficient way to heat your home



## Pyro Mini - Small & Perfectly formed



Ultra Low Emissions Burner



Perfect for homes less than 140m<sup>2</sup>



Available with a 1.5kW wetback booster



Clean air approved low emission burner (0.3g/kg)



Very low 0.9kg per hour fuel consumption rate



Dimensions: 455 (W) x 452 (L) x 625 (H)

The Pyroclassic Mini has been tested to the following standards: AS/NZS4012:2014 • AS/NZS4013:2014 • AS/NZS2918:2001 • ECAN authorisation LEB: 174996 (Dry), 175008 (Wet) 193584 (ULEB Dry)



## Pyro IV - The Original Pyroclassic



Ultra Low Emissions Burner



Suitable for homes 110m<sup>2</sup> – 200+m<sup>2</sup>, depending on house type



Available with a 3.7kW high output wetback



New Zealand's only clean air approved wood fire to burn overnight as per manufacturers operational instructions



Very low 1.1kg per hour fuel consumption rate

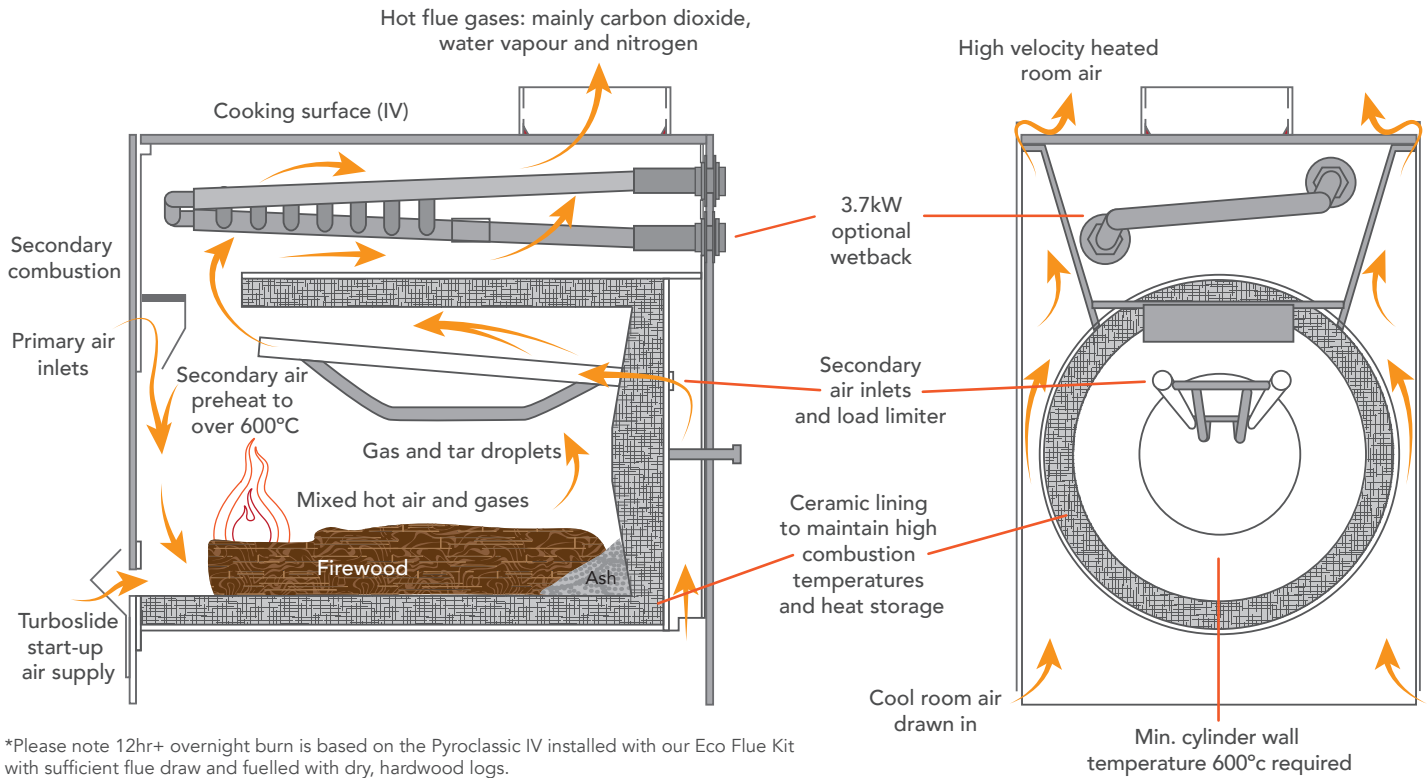


Genuine heavy duty cooktop



Dimensions: 455 (W) x 645 (L) x 625 (H)

The Pyroclassic IV has been tested to the following standards: AS/NZS4012:1999 • AS/NZS4013:1999 • AS/NZS4012:2014 • AS/NZS4013:2014 • AS/NZS2918:2001 • EN13240:2001 • A2:2004 • ECAN authorisation LEB: 121121 (Dry), 121122 (Wet) 194576 (ULEB Dry)

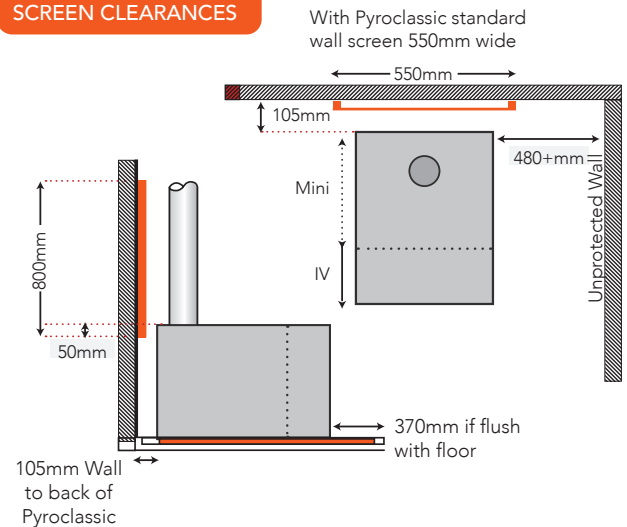


\*Please note 12hr+ overnight burn is based on the Pyroclassic IV installed with our Eco Flue Kit with sufficient flue draw and fuelled with dry, hardwood logs.

## Wall Protection

- Pyroclassic Fires can be installed with a double skin half round flue shield, or for minimum clearances from combustible walls a correctly sized wall screen must be installed.
- Alternatively you can install a Pyroclassic Fire without wall screens if you chose to use a non-combustible wall board and install it as per the manufacture specifications. Usually this involves ensuring a 25mm ventilated air gap is maintained between the wall board and any timber framing, through the bottom, up between the combustible surface and the screening material and out of the top similar to our wall screens.
- In some instances the wall may not contain any combustible material and therefore will not require any screening.
- Pyroclassic wall screens now have an easy to install hanging system which requires just 2 fixing holes per screen.

### STANDARD WALL SCREEN CLEARANCES



## Pyroclassic IV & Mini Specifications

**Weight:** (IV) Approximately 140kg (Mini) Approximately 100kg

**Maximum heat output:** (IV) >15kW (Mini) >10kW

**Fuel consumption:** (IV) 1.1kg/hr (Mini) 0.9kg/hr

**Emission rate:** 0.3g/kg (Dry and Wet)

**Efficiency rate:**

(IV) 74% space heating (Dry) 83.3% with wetback (65.3% space, 18% water)

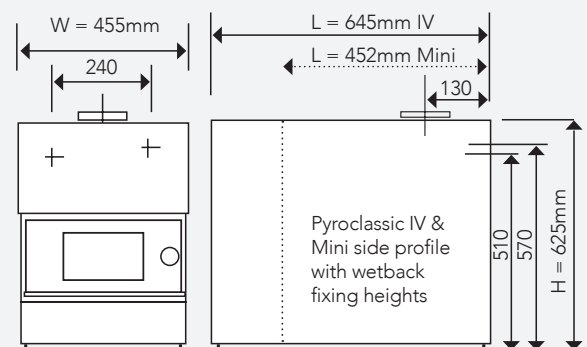
(Mini) 66.5% space heating (Dry) 67.5% with wetback (58.7% space, 8.8% water)

**Air control:** Primary & secondary, fully automatic

**Start up control:** Manually adjustable Turboslide

**Cooktop area:** (IV) 2,600cm<sup>2</sup> -10mm plate (Mini) 1,700cm<sup>2</sup> -10mm plate

## Fire dimensions showing wetback fixing locations

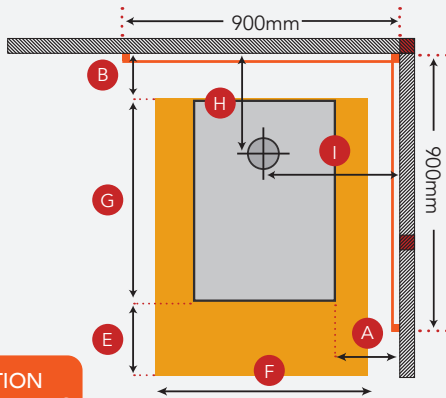


Disclaimer: +/- 2mm measurement variation.



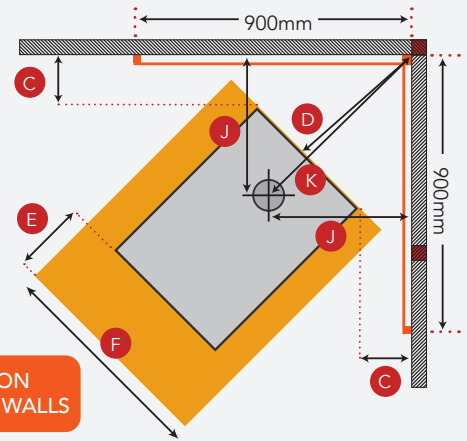
## Wall Clearances

Optional Pyro IV  
Combo Raised  
Hearth & Woodbin  
(H 250mm)



PARALLEL INSTALLATION  
WITH COMBUSTIBLE WALLS

Optional Pyro IV  
Combo Raised  
Hearth & Woodbin  
(H 250mm)



CORNER INSTALLATION  
WITH COMBUSTIBLE WALLS

### PYROCLASSIC INSTALLED WITH WALL SCREENS *Note: Flue shield not required*

\* measurements pertain to E Calculator graph

	A	B	C	D	E*	F	G	H	I	J	K
<b>IV</b>	145mm	105mm	115mm	390mm	300mm	680mm	650mm	245mm	373mm	370mm	530mm
<b>Mini</b>	145mm	105mm	115mm	390mm	300mm	680mm	460mm	245mm	373mm	370mm	530mm

### PYROCLASSIC INSTALLED WITH DOUBLE FLUE SHIELD *Note: Wall screens not required*

	A	B	C	D	E*	F	G	H	I	J	K
<b>IV</b>	290mm	270mm	170mm	456mm	300mm	680mm	650mm	410mm	518mm	421mm	596mm
<b>Mini</b>	290mm	270mm	170mm	456mm	300mm	680mm	460mm	410mm	518mm	421mm	596mm

### PYROCLASSIC INSTALLED WITH COMBUSTIBLE OR UNPROTECTED WALLS

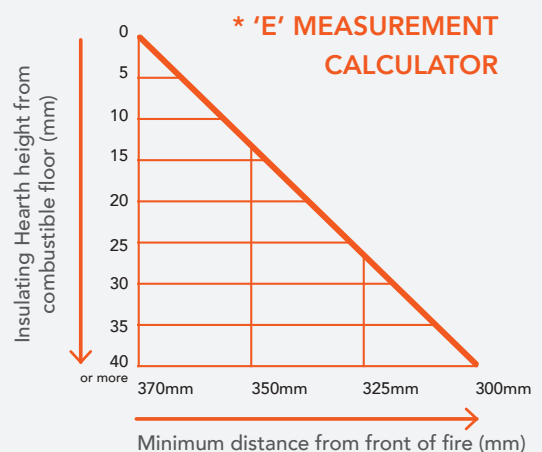
	A	B	C	D	E*	F	G	H	I	J	K
<b>IV</b>	480mm	350mm	370mm	740mm	300mm	680mm	650mm	490mm	708mm	623mm	880mm
<b>Mini</b>	480mm	350mm	370mm	740mm	300mm	680mm	460mm	490mm	708mm	623mm	880mm

## Hearth Requirements

If the insulating hearth is installed flush with the surrounding combustibile floor, there must be a minimum distance of 370mm from the front of the fire to the front edge of the hearth. The minimum width of the insulating hearth must not be less than 680mm with the fire centred from each side of the hearth. If the hearth is raised, the floor protector area at the front can be reduced as per the 'E' Measurement Calculator, for example; the large Pyroclassic Raised Hearth & Woodbin is 250mm high, allowing for a reduction in the distance between the edge of the floor protector and the front of the fire from 370mm to 300mm.

As an alternative to our hearth and wood bin options, you can use a minimum of 20mm+ thick insulated board with a non-combustibile top or 50mm+ thick masonry slab.

The small raised Woodbin options require a **minimum of a 4mm thick** layer of non-combustibile material installed underneath to meet all the necessary clearances e.g. tiles or steel to the correct 'E' measurement.



Minimum clearance is 300mm with a 40mm hearth height. So as long as your hearth is 40mm deep, the length of your hearth will be 300mm from the front of your fire.

**WARRANTY:** The ceramic firebox in the Pyroclassic is warranted for 15 years against defective material or workmanship, provided the fire is used and installed according to the manufacturer's operating and installation instructions. All other items are warranted for 12 months. This warranty does not cover damage or failure caused by tampering, carelessness, abuse or misuse. **NOTE:** The warranty commences upon the date of purchase from an authorised Pyroclassic retailer and only applies to the original purchaser and initial installation, it cannot be transferred. Please ensure a completed warranty registration card is returned to Pyroclassic Fires Ltd so the warranty can be authenticated.



## Our history - keeping Kiwis warm for decades...

The Pyroclassic Wood Fire was developed by scientists at the DSIR. They were tasked with creating the ultimate solution for burning wood in the most environmentally conscious way and so, after years of design and research, the Pyroclassic was born.

For more than 40 years, this unique kiwi fire has led the global market in efficiency.

Every fire that leaves our Hawke's Bay factory is hand built and upholds the impeccable standard we have become renowned for.

- Designed and manufactured in New Zealand
- Meets the world's toughest environmental standards
- Pyroclassic IV is NZ's only clean air wood fire to provide an overnight burn
- Available in over 200 colour variations
- Pyroclassic Fires is a carboNZero<sup>Cert™</sup> certified organisation



We are proud to be a New Zealand owned and operated family business

## carboNZero

Pyroclassic Fires is the **first and only** wood fire manufacturer in the world to achieve carboNZero<sup>Cert™</sup> accreditation.

In our 5th year of being a carboNZero<sup>Cert™</sup> certified manufacturer, we have reduced our carbon emissions by 15%.



## What is an ULEB - Ultra Low Emission Burner

ULEBs are tested using the Canterbury Method (CM1), which uses strict real-life operating conditions. ULEBs must meet some of the strictest emissions and efficiency standards in the world. Under the current Canterbury Air Plan, ULEBs can be installed and used indefinitely in this region.

- Both Pyroclassic Fires now comply with Canterbury & Tasman ULEB clean air requirements
- Canterbury and Tasman residents can now enjoy the benefits of a Pyroclassic Fire

ULEBS ARE THE CLEANEST SOLID FUEL BURNERS

## Colour Options

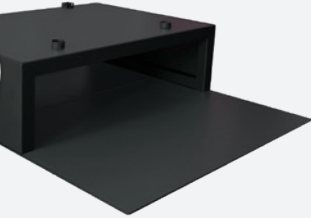
From bold and bright to classic neutrals, there are **more than 200 colour variations to choose from.**





## Wood Hearths & Bins

Lift your Pyroclassic fire to the perfect height for reloading your wood with one of our woodbins and the new for 2020 wood bench. The woodbin options are reversible, one side for stacking wood or turn around and use as a storage drawer for your tools and kindling, giving you ultimate flexibility.



### Raised Bench & Ash Floor Protector

A modern and updated new look raised bench with ash floor protector.

**Pyro IV:** W 700mm x D 990mm x H 200mm

**Pyro Mini:** W 700mm x D 800mm x H 200mm



### Large Raised Hearth & Reversible Wood Bin

A direct replacement for a traditional insulated tiled hearth, this woodbin meets all clearances.

**Pyro IV:** W 690mm x D 950mm x H 250mm

**Pyro Mini:** W 690mm x D 760mm x H 250mm



### Small Raised & Reversible Wood Bin

Ideal for installations when a hearth is not required because the floor itself meets the standards for a non combustible floor, Concrete/Tiles etc.

**Pyro IV:** W 480mm x D 680mm x H 250mm

**Pyro Mini:** W 480mm x D 490mm x H 250mm

## Log Rack

Enjoy the convenience of this stylish log rack. Available in Black.

### Dimensions:

Width 800mm

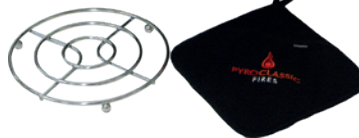
Height 1000mm

Depth 300mm



## Cooktop Set

Roast and bake to perfection on your Pyroclassic IV with our handy oven, mitt and trivet set. Available in Black.



## Wall Protection

Wall screens will significantly reduce the minimum required safety distances by protecting the wall from the hottest parts of the fire. Available in our full colour range, they offer a stylish and practical solution compared to an industry-standard flue shield.

**Sizes: Standard:** W 550mm x H 800mm x D 25mm

**IV Corner:** W 900mm x H 800mm x D 25mm (pair)

**Custom:** We can accommodate most sizes.

All custom wall screens will incur additional charges.

### As an alternative to using Wall Screens

Pyroclassic Fires can be installed with a double skin half round flue shield.

*NOTE: Larger clearance distances are required so wall screens remain our recommendation. Visit our website for full specifications. Refer to Technical Specifications enclosed.*



Visit [www.pyroclassic.com.au](http://www.pyroclassic.com.au) for more information

DEALERS STAMP